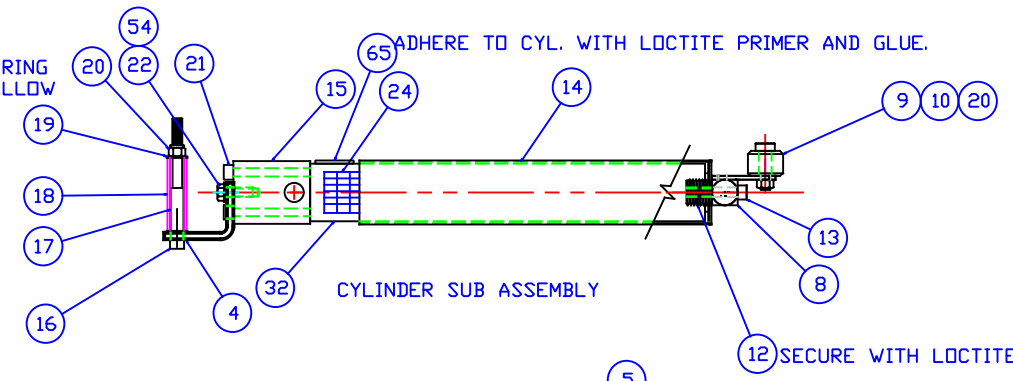
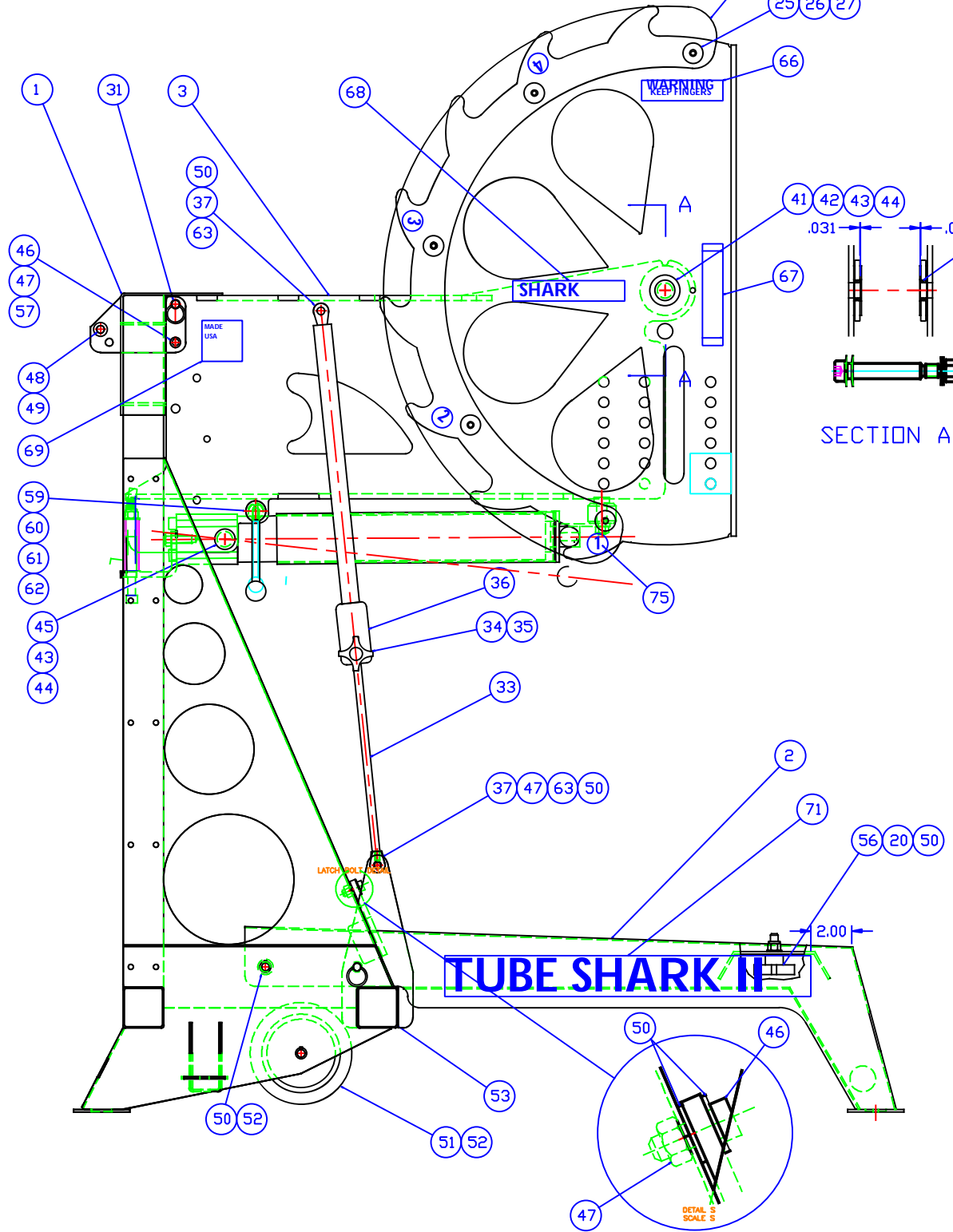
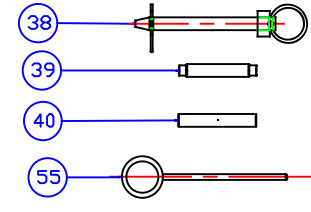


NOTE: ADJ. SPRING TENSION TO ALLOW EASY RETURN ON CY.

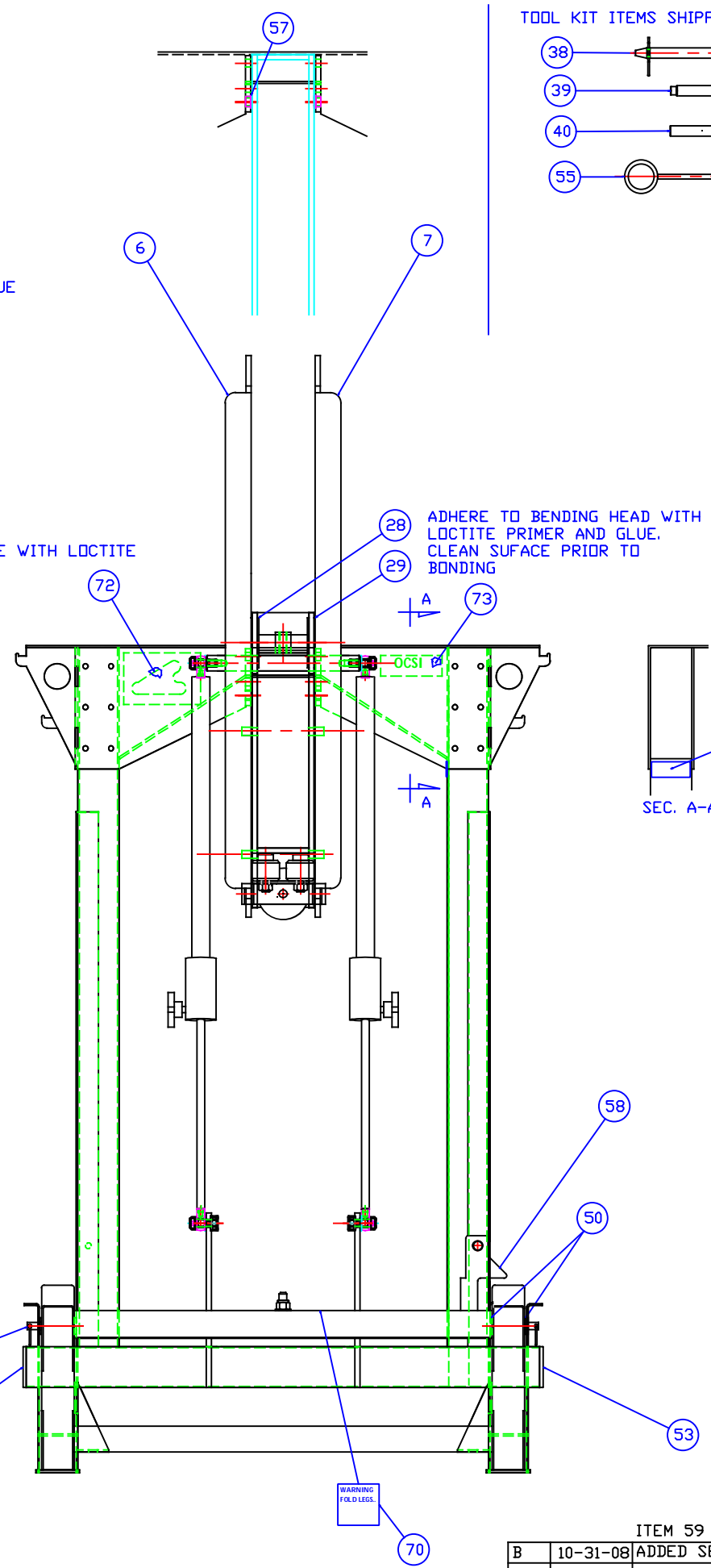


CYLINDER SUB ASSEMBLY

TOOL KIT ITEMS SHIPPED LOOSE



SECTION A-A



SEC. A-A

MATERIAL LIST					
ITEM	QTY	DESCRIPTION	SOURCE	INV. #	DWG. #
1	1	BASE FRAME WELDMENT	M	TS20087	6030
2	1	PIVOT FRAME WELDMENT	M	TS20105	6078
3	1	BENDING HEAD WELDMENT	M	TS20106	6053
4	1	CYLINDER SPRING BRACKET	M	TS20022	6075
5	2	3/16 ACRYLIC SHEILD	P	TS20023	6076
6	1	DORSAL PLATE LEFT	M	TS20024	6077
7	1	DORSAL PLATE RIGHT	M	TS20025	6077
8	1	RAM GUIDE PLATE	M	TS20107	6087
9	2	RAM ROLLER	M	TS20037	6080
10	2	RAM ROLLER BOLTS, 1/2 X 1" SB	P	TS20056	
11	2	NUT.375-16SELFLOCK	P	TS20175	
12	1	RAM THREADED ROD	M	TS20036	6083
13	1	RAM ASS'Y BOLT,3/8NCX2LG SHCS	P	TS20054	
14	1	CYLINDER SHROUD	M	TS20035	6073
15	1	CYLINDER BASE	M	TS20038	6084
16	2	CYL. TENSION BOLTS,3/8NCX4-1/2	P	TS20063	
17	2	INNER SPRING SLEEVE	M	TS20066	
18	2	CYLINDER SPRING	P	TS20067	
19	4	SPRING RET. WASH, 3/8SAE GR8	P	TS20065	
20	6	TENSION BOLT NUT, 3/8NC NYLOCK	P	TS20064	
21	2	CYL. BASE BOLTS, 5/16NCX3-1/2	P	TS20061	
22	1	SPRING BRK'T MT. BOLT,3/8NCX5/8	P	TS20062	
23	1	SERIAL NUMBER TAG	P	8114	
24	1	BENDING SCALE	P	TS20060	
25	10	GUARD SPACER	M	TS20032	6039
26	10	GUARD BOLTS, 1/4NCX3/4 BHCS	P	TS20049	
27	10	GUARD WASHER, 1/4 SAE	P	TS20050	
28	2	TEFLON WEAR PLATE	M	TS20042	6090-1
29	2	POLYURETHANE WEAR PLATE	M	TS20043	6090-2
30	2	PIVOT FRAME LOCKING PIN	M	TS20045	6099-1
31	1	BENDING HEAD LOCKING PIN	M	TS20103	6069-2
32	1	12", 10 TON ENERPAC RAM	P	TS20091	
33	2	200 LB GAS STRUT	P	TS20077	
34	2	STRUT LOCK KNOB	P	TS20079	
35	2	STRUT URETHANE PLUGS	M	TS20041	
36	2	GAS STRUT LOCK	M	TS20040	6043
37	4	STRUT ROD END	M	TS20078	6096
38	2	DRIVE/FORMING PIN ASSEMBLY	M	TS20102	6066
39	1	FEED SHDE PIN (FRONT)	M	TS20039	6088
40	1	FEED SHDE PIN (REAR)	M	TS20088	6089
41	1	AXLE BOLT, SB 3/4 X 3-3/4	P	TS20051	
42	2	AXLE BELLEVILLE SPRING	P	TS20048	
43	2	AXLE/CYLINDER WASHER,5/8 SAE	P	TS20052	
44	2	AXLE/CYLINDER NUT, 5/8 NC	P	TS20053	
45	1	CYLINDER BOLT, SB 3/4 X 3	P	TS20068	
46	3	HEAD HINGE BOLTS, SB 3/8X3/8	P	TS20069	
47	5	NUT.312-18NYLOCK	P	NUT.312-18NYLOCK	
48	1	HEAD STOP PIN	M	TS20072	
49	2	HEAD STOP PIN CAP	P	TS20071	
50	10	NYLON SPACER WASHER	P	TS20082	
51	2	5" URETHANE WHEELS	P	TS20083	
52	4	WHEEL/LEG PIVOT AXLES W/NUT	P	TS20084	
53	4	SQUARE TUBE PLUGS	P	TS20085	
54	1	WASHER SPLITLOCK .375 PLTD	WASHERSPLITLOCK.375PLTD		
55	1	ALIGNMENT PIN	M	TS20074	6109
56	1	FOLDED LOCK KNOB	X	TS20075	
57	2	PIVOT BUSHING	P	TS20089	
58	1	SAFTEY LATCH	M	TS20090	6062
59	1	CYLINDER HOLD DOWN CAM	M	TS0142	12273
60	1	HANDLE,	P	TS0143	
61	1	CURVED DISC SPRING	P	TS20113	
62	1	RETAINING RING, FOR 3/4" SHAFT	P	TS20116	
63	4	STRUT MOUNT BOLTS,SB 3/8X1/2"	P	TS20073	
64	2	BUSHING	P	TS20117	
65	1	TEFLON LIFT PLATE	P	TS20099	
66	2	DECAL-"KEEP FINGERS."	P	TS0095	
67	2	DECAL-"ARROW MUST."	P	TS0090	
68	2	DECAL-"TUBE SHARK POWER."	P	TS0085	
69	2	DECAL-"MADE IN USA."	P	TS0080	
70	1	DECAL-"FOLDING LEGS."	P	TS0100	
71	2	DECAL-"TUBE SHARK II."	P	TS0105	
72	1	DECAL-"TUBE SHARK FIN."	P	TS0075	
73	1	DECAL-"TSCD."	P	4344	
74	1	x	P	x	
75	2	DECAL-"1", "2", "3", "4"	P	TS0110	
76	1	HAMMER	P	TS0015	
77	1	BRUSH	P	TS0020	
78	1	SHARK GREASE	P	TS0030	XXXX
79	1	TUBE LUBE	P	TS0035	XXXX
80	1	LARGE TUBE CLAMP	M	TS0040	13332
81	1	SMALL TUBE CLAMP	M	TS0042	13333
82	1	ALLEN WRENCH 1/8" x6" SC DRIVER	P	TS0005	
83	1	ALLEN WRENCH 3/8" STD.	P	TS0010	
84	1	AXLE WRENCH	P	TS0025	6047
85	1	OPERATING VIDEO TAPE	P	TS0012	
86	1	SETUP AND OPERATING MANUAL	P	TS0013	

* ITEMS SHIPPED LOOSE

TOLERANCES EXCEPT AS NOTED
 .XX = +/- .015"
 .XXX = +/- .005"
 ANGLE +/- 1°

GRB Innovations
 PO Box 8008 Bend Oregon 97701
 541-382-1573

REV.	DATE	DESCRIPTION
B	10-31-08	ADDED SERIAL # TAG,
		REMOVED ITEM 54,23. ITEMS 11 AND 47
A	1-11-02	WAS NUTS, ADDED ITEM 64-84

SCALE		3"=1'-0"	
BY	TOME	DRAWING NUMBER	
CHKD	PAGE	OF	
		6025	
REV.		B	

ITEM 59 WAS TS20114, ITEM 60 WAS TS20115

MAIN ASSEMBLY
 TUBE SHARK-2

PART ID: TSA-2-1-0001